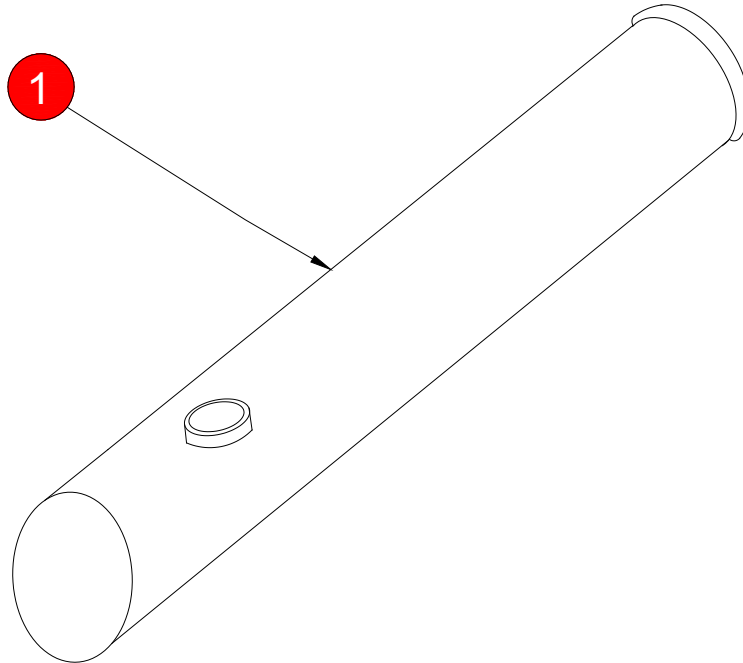


| | | | |
|-------|--|----------|-----------------------------|
| CAR | Renault Clio 200 2.0L 10-13 | PART NO. | SRNC023 |
| YEAR | 10-13 | FIT KITS | N/A |
| NOTES | Where not supplied use original fittings | FEATURES | Pipe Diameter:- 63.5mm/2.5" |



| NO. | PART NO. | DESCRIPTION | QTY |
|-----|----------|----------------------|-----|
| 1 | 526RN | Cat Replacement Pipe | 1 |

NOTE: ENSURE SCORPION SYSTEM IS CLEAR OF MOVING PARTS AND ALL ORIGINAL FUNCTIONS WORK CORRECTLY.

| | |
|------------|----------|
| E-MARK | N/A |
| DATE | 24/10/11 |
| ISSUE | 01 |
| AUTHORISED | T.ROWLEY |