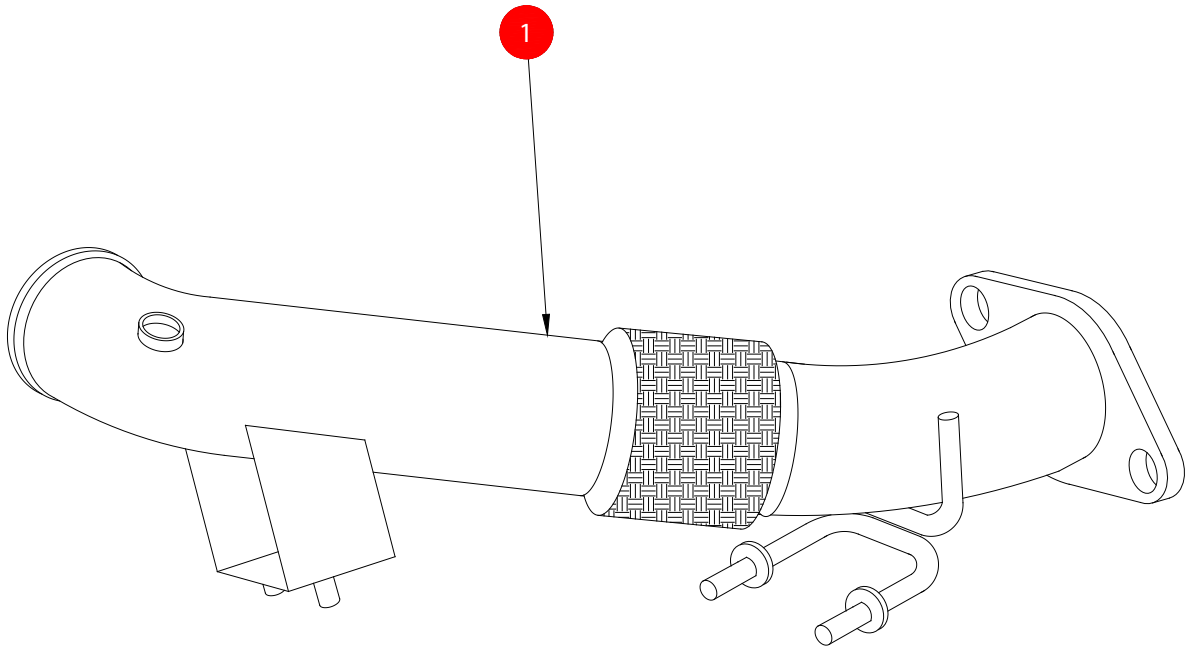


CAR	Ford Focus ST 2.0T 250	PART NO.	SFDC071
YEAR	12-	FIT KITS	
NOTES	Where not supplied use original fittings	FEATURES	Pipe diameter:- 76mm/3"



NO.	PART NO.	DESCRIPTION	QTY
1	1178FD	Turbo Down Pipe De-Cat	1

E-MARK	N/A
DATE	10/10/12
ISSUE	01
AUTHORISED	T.ROWLEY

NOTE: ENSURE SCORPION SYSTEM IS CLEAR OF MOVING PARTS AND ALL ORIGINAL FUNCTIONS WORK CORRECTLY.