

Injection Valve EV 14



EV 14 injection valves are the latest revision of the EV 6 injection valve technology. EV 14 xT are the latest revision of the EV 12.

EV 14 is designed for a wide range of flow rates and spray patterns. Compact size and three standard versions simplify mounting in a variety of applications.

Technical Specifications

Mechanical Data

System pressure	Max. 5 bar (8 bar for motorsport use)
Weight	≤ 30 g
Installation lengths	33.6, 48.65 or 60.65 mm
Fuel input	Top-feed injector
Operating temperature	-40 to 110°C
Permissible fuel temperatures	≤ 70°C
Climate-proof corresponding to saline fog test DIN 50 021	
Housing design	Compact (K), Standard (S), Long (L)
Spray type	C (Conical Spray) or E (2-Spray)
Flow rate at 3 bar (n-heptane)	151 to 1,462 cm ³ /min 103.5 to 1,000 g/min
Spray angle α	15 to 85°
Bent angle γ	0 to 15°
Coil resistance	See variations
Fuel compatibility	E85 / M100 (After Methanol-operating, the valves must be flushed with standard gasoline-fuel.)

- ▶ Flow rate at 3 bar: up to 1,000 g/min (n-heptane)
- ▶ Max. 8 bar
- ▶ Conical spray or 2-spray
- ▶ With or without extension
- ▶ Spray angle 15 to 85°

Use with different media is not permitted.

Electrical Data

Power supply 6 to 16.5 V

Connectors and Wires

Connectors Jetronic, Sumitomo, Motorsport connectors

Installation Notes

Please ask for more information before ordering.

Ordering Information

EV 14 CL, 103.5 g/min n-heptane
Order number **0280.158.110**

EV 14 ES, 116 g/min n-heptane
Order number **0280.158.200**

EV 14 CL, 150 g/min n-heptane
Order number **0280.158.107**

EV 14 ES, 150 g/min n-heptane
Order number **0280.158.013**

EV 14 CKxT, 237 g/min n-heptane
Order number **0280.158.038**

EV 14 EL, 237 g/min n-heptane
Order number **0280.158.116**

EV 14 CS, 387 g/min n-heptane
Order number **B280.436.038-09**

EV 14 CS, 387 g/min n-heptane
Order number **B280.436.038-10**

EV 14 ESxT, 429 g/min n-heptane
Order number **0280.158.123**

EV 14 CS, 503 g/min n-heptane

Order number **B280.436.038-08**

EV 14 CS, 503 g/min n-heptane

Order number **B280.436.038-07**

EV 14 CKxT, 670 g/min n-heptane

Order number **0280.158.040**

EV 14 CS, 670 g/min n-heptane

Order number **B280.436.487-01**

EV 14 ES, 697 g/min n-heptane

Order number **B280.436.469-01**

Accessories

Clip for locking bush of plastic

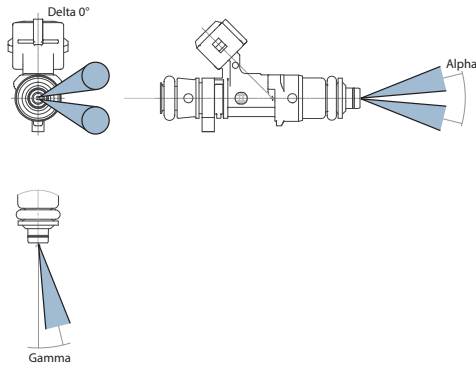
Order number **2431.314.021**

Clip for locking bush of steel

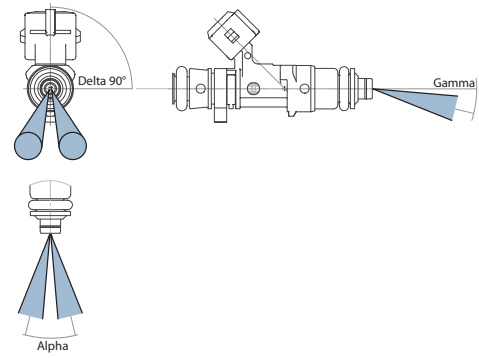
Order number **2431.314.018**

Dimensions

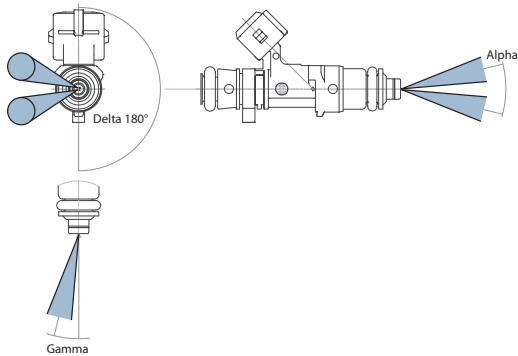
Spray bent to the „right“, Delta=0°



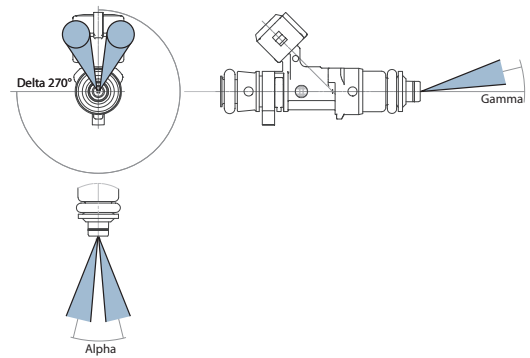
Spray bent „down“ (away from electr. connector), Delta=90°



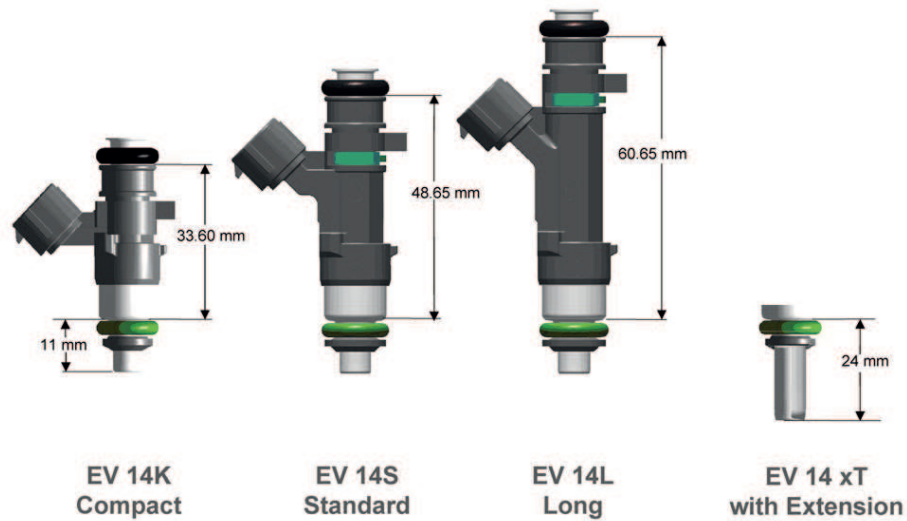
Spray bent to the „left“, Delta=180°



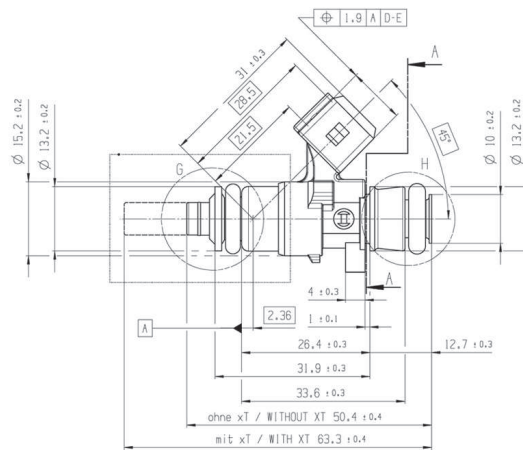
Spray bent „up“ (towards electr. connector), Delta=270°



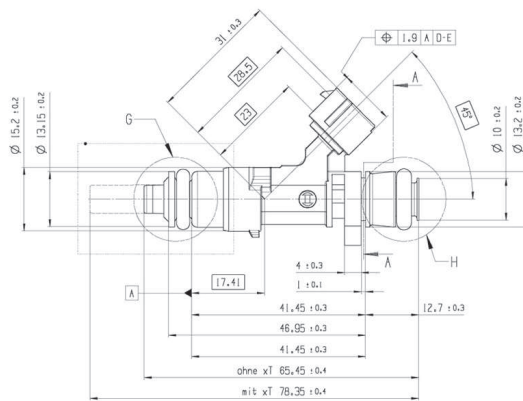
Delta Angel



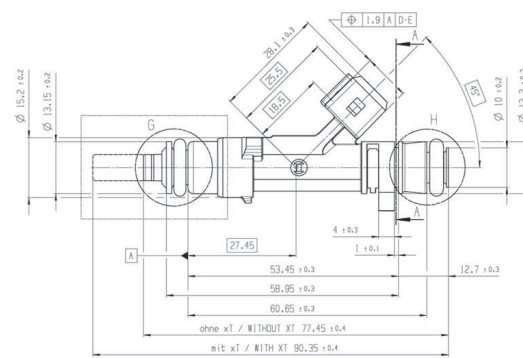
Housing Variations



EV 14 Compact



EV 14 Standard



EV 14 Long

Variations of Motorsport Valves

Part No.	B280.436.038-07	B280.436.038-08	B280.436.038-09	B280.436.038-10	B280.436.487-01
Flow rate/min	503 g/736 cm ³	503 g/736 cm ³	387 g/566 cm ³	387 g/566 cm ³	670 g/980 cm ³
Type	C	C	C	C	C
Housing	S	S	S	S	S
α	70°	25°	70°	25°	30°
γ	0°	0°	0°	0°	0°
δ	-	-	-	-	0°
Resistance	12 Ohm	12 Ohm	12 Ohm	12 Ohm	12 Ohm

Variations of Production Type Valves

Part No.	0280.158.110	0280.158.200	0280.158.107	0280.158.013	0280.158.038
Flow rate/min	103.5 g/151.3 cm ³	116 g/170 cm ³	150 g/219 cm ³	150 g/219 cm ³	237 g/347 cm ³
Type	C	E	C	E	C
Housing	L	S	L	S	KxT
α	15°	15°	20°	19°	20°
γ	0°	90°	0°	0°	0°
δ	0°	0°	0°	90°	0°
Resistance	12 Ohm	12 Ohm	12 Ohm	12 Ohm	12 Ohm

Part No.	0280.158.116	0280.158.123	0280.158.040
Flow rate/min	237 g/347 cm ³	429 g/627 cm ³	670 g/980 cm ³
Type	E	E	C
Housing	L	SxT	KxT
α	22°	25°	30°
γ	5°	0°	0°
δ	90°	90°	0°
Resistance	12 Ohm	12 Ohm	12 Ohm

Further variations are available on request.

Represented by:

Europe:
Bosch Engineering GmbH
Motorsport
Robert-Bosch-Allee 1
74232 Abstatt
Germany
Tel.: +49 7062 911 9101
Fax: +49 7062 911 79104
motorsport@bosch.com
www.bosch-motorsport.de

North America:
Bosch Engineering North America
Motorsport
38000 Hills Tech Drive
Farmington Hills, MI 48331-3417
United States of America
Tel.: +1 248 876 2977
Fax: +1 248 876 7373
motorsport@bosch.com
www.bosch-motorsport.com

Asia-Pacific:
Bosch Engineering Japan K.K.
Motorsport
18F Queen's Tower C, 2-3-5 Minato
Mirai Nishi-ku, Yokohama-shi
Kanagawa 220-6218
Japan
Tel.: +81 45 650 5610
Fax: +81 45 650 5611
www.bosch-motorsport.jp

Australia, New Zealand and South Africa:
Robert Bosch Pty. Ltd
Motorsport
1555 Centre Road
Clayton, Victoria, 3168
Australia
Tel.: +61 (3) 9541 3901
motor.sport@au.bosch.com