



Instructions

Anti-Geometry - Caster Bushing

WHITELINE ALK is designed to improve front end geometry by re-positioning the control arm mounting point.

The result is an increase of approx 0.5 degree of caster over the original Toyota value + anti geometry. High speed turn-in is significantly improved also via the low compliant bushing.

- Raise vehicle evenly and safely support.

Never rely on a Jack only

- Start by removing front wheels. Followed by loosening ball joint nut (but do not remove yet)

- Strike hub with hammer to loosen ball joint.

- Un-bolt front bushing and rear vertical bushing.

- Remove control arms from vehicle.

Note - a Press will be required to press out OE rubber bushing.

- Remove old bushing

Refer Page 2 for bushing install .

Top Press tool OD no bigger than 67.5mm
Bottom Press tool ID no smaller than 69mm

Application - Toyota Yaris 2020-on
- GR AWD

(Always refer complete catalogue listing)

Contents - 2x performance-offset bushings 82042
- 2x stepped/offset washers



N.B: It is recommended that a licenced workshop or tradesperson carry out the above procedure and that workshop manual and relevant safety procedures are followed in addition to the above.

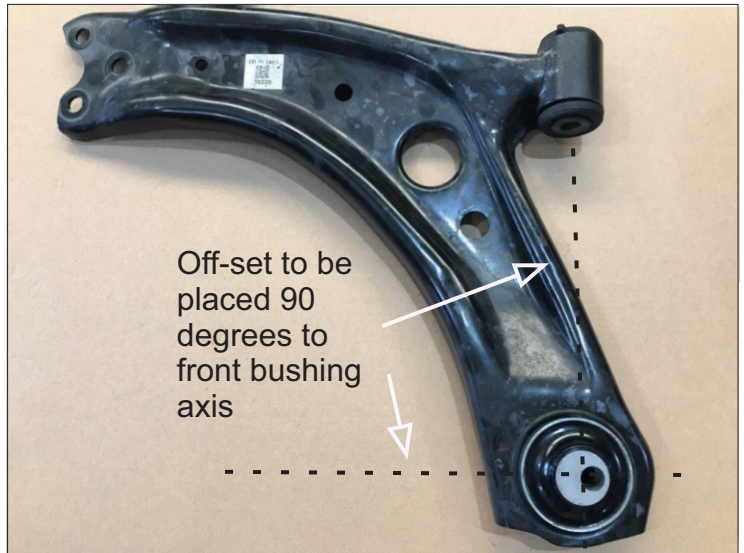


Instructions Anti-Geometry - Caster Bushing

NOTE: This instruction sheet should be used in conjunction with the workshop manual and proper safety procedures followed.

- Press new bushing into arm.

Refer images for orientation - for maximum caster increase.



- Press bushing into arm centrally - refer LH image



Refer Page 3 for Anti-geometry application

N.B: It is recommended that a licenced workshop or tradesperson carry out the above procedure and that workshop manual and relevant safety procedures are followed in addition to the above.



Instructions Anti-Geometry - Caster Bushing

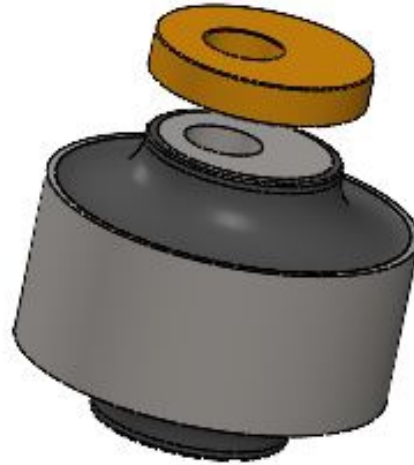
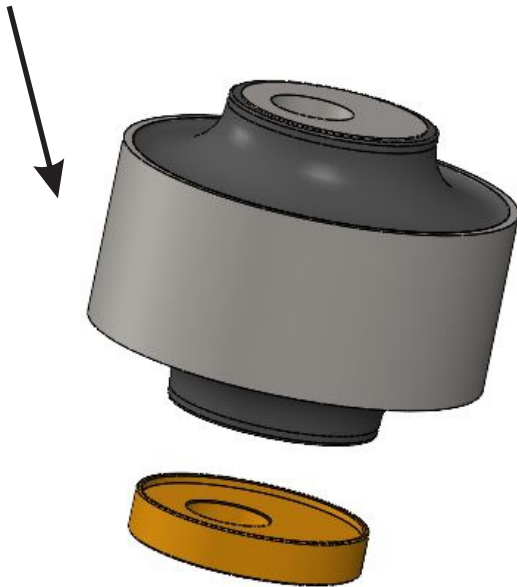
NOTE: This instruction sheet should be used in conjunction with the workshop manual and proper safety procedures followed.

Important - a wheel alignment is required immediately after install

- Install control arm to vehicle.

For best performance during acceleration place stepped washer above (on top) of bushing.

For best performance under heavy braking, place stepped washer below.



- Re-fit arm, tighten all bolts and carry out wheel alignment.
- Re-check all bolts after 100kms



N.B: It is recommended that a licenced workshop or tradesperson carry out the above procedure and that workshop manual and relevant safety procedures are followed in addition to the above.