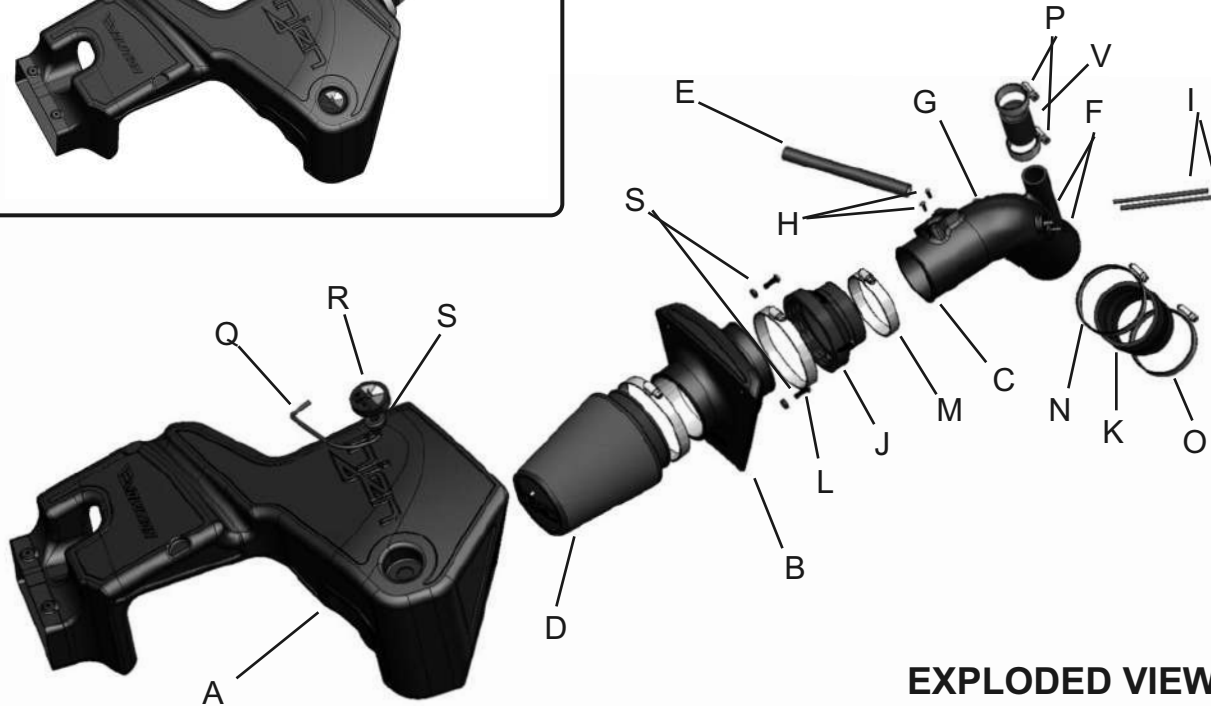




Vehicle Application:	
Make:	Mitsubishi
Model:	Evolution X
Year:	2008-2015
Engine:	2.0L I4 Turbocharged 4B11T



EXPLODED VIEW

A	1	X-15098	Air box
B	1	X-15099	Air Box Plenum
C	1	X-15100	Intake Tube
D	1	X-1082	Filter
E	1	X-3078	12mm Vacuum hose @ 6"
F	2	X-8052	1/8" Barb to 1/8"NPT Fittings
G	1	X-8053	1/2" Barb to 1/4" NPT Fitting
H	2	X-6047	M4 head screws
I	2	X-3198	3mm hose @ 6" long
J	1	X-3210	Step Hose 3-1/4" x 4"
K	1	X-3120	Step hose 2 3/4" x 3" x 2 1/2" long
L	1	X-4006	#64 clamp
M	1	X-4005	#56 clamp
N	1	X-4004	#48 clamp
O	1	X-4003	#40 clamp
P	2	X-4001	#20 clamps
Q	1	X-3198	3mm hose @ 13" long
R	1	X-15040	Filter Monitor
S	1	X-8026	grommet
T	3	X-6100	m6 x 20mm socket screw
U	3	X-8047	Rubberized washers
V	1	x-3100	Straight hose BOV 1.310" ID x 2" long

WARNING: FAILURE TO FOLLOW INSTALLATION INSTRUCTIONS AND NOT USING THE PROVIDED HARDWARE MAY DAMAGE THE INTAKE SYSTEM, ENGINE AND COMPONENTS!!!

***Do not attempt to install the intake system while the engine is hot.**
Severe burn could result from touching hot engine components!

CAUTION: Injen Technology Ram Air Intake System should be removed in any wet climate conditions. Failure to comply with the above warning may cause water to be absorbed into the engine through the filter causing serious damage to your engine. Injen Technology assumes no liability to damages to your engine due to water entering your engine through the Injen Intake system.

Report any defective or missing parts to the authorized Injen dealer you purchased this product from. Before installing any parts of this system, please read the instructions thoroughly. If you have any questions regarding installation, please contact your Injen Technology dealer. Installation DOES require some mechanical skills. A qualified mechanic is always recommended.

A Limited Lifetime Warranty to the original purchaser against defects in material and workmanship on all Injen intake systems excluding the filter element. Any and all warranty coverage is limited to the repair or replacement of the defective part only, at Injen Technology's discretion. The warranty does not cover incidental or consequential damages, nor does it cover the cost of installation or removal of the defective part or its replacement. Proof of purchase is required.

Instruction Manual P/N:EVO1800

NOTE: This intake kit may not work on vehicles with the following aftermarket modifications.

- Aftermarket Intercooler piping
- Aftermarket intercooler
- Turbo upgrade
- Modified body panels
- Suspension & Chassis modifications

Injen intake systems are street legal in most states unless the state is adopting to California Emissions standards. States that have adopted California emission standards include: Arizona, California, Connecticut, District of Columbia, Maine, Maryland, Massachusetts, New Jersey, New Mexico, New York, Oregon, Pennsylvania, Rhode Island, Vermont, and Washington. These states will require an California Air Resource Board Executive Order Number (CARB E.O.) for the legal use of an Injen intake system in your vehicle for use on public roads or highways. These vehicle will be considered "Legal in California only for racing vehicles competition use only, which may never be used upon a public street or highway. **Please keep your factory air box assembly for any future use.**



The SuperNano-Web filter media is a dry synthetic media that outperforms the competition. The media itself is a proprietary base blend of synthetics and cellulose. Cellulose fibers are larger than synthetic fibers, and have larger spaces between the fibers, causing contaminants to load in the depth of the media and plug the airflow path. This creates higher restriction levels and less capacity. The synthetic fibers in the SuperNano-Web media are submicron in diameter and have small interior fiber spaces, which result in more contaminants being captured on the surface of the media. This can help keep restriction levels low as the filter loads with dirt and containments

If you look at the picture to the left, you can see the Nano-fiber web on top of our base media. That web, or SuperNano-Web as we like to call it, helps trap smaller particles and protect your engine.



To Clean your filter:

Carefully remove the filter from the housing. Once removed, wipe down the housing using a clean shop towel, being careful not to knock any dirt and/or debris in the air inlet. Your filters can be cleaned by carefully vacuuming the filter media from the dirty side, or by holding the filter with one hand and carefully blowing the filter media at a 45-degree angle from the clean side using low-pressure shop air (15-20 lbs. psi).

****IT IS IMPORTANT TO NOT USE ANY CLEANERS ON THE SUPERNANO-WEB MEDIA OR APPLY ANY OIL!!!***

NOTE: DISCONNECT BATTERY BEFORE INSTALLATION!!!

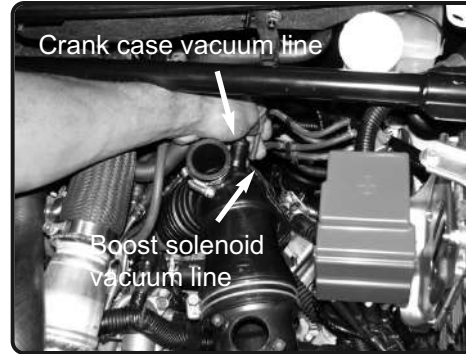
Instruction Manual P/N:EVO1800



1. Stock intake system shown.



2. Loosen the clamp on the OE bypass valve. Detach the bypass valve from the stock air duct tube and place it to the side for now.



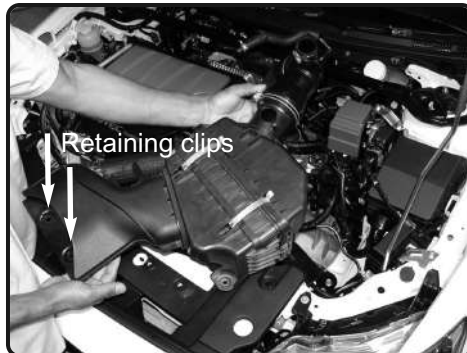
3. Disconnect the boost solenoid vacuum line and crank case vacuum line from the stock air duct. Also, loosen the clamp on the turbo side to disconnect the air duct.



4. Loosen the screws, disconnect the MAF sensor harness and then remove the MAF sensor from the OE air box assembly



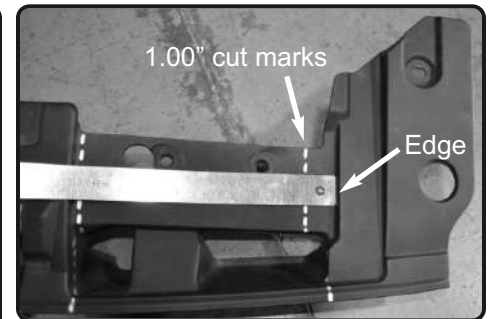
5. Remove the 10mm bolt from the Oe air box attached to the mounting bracket



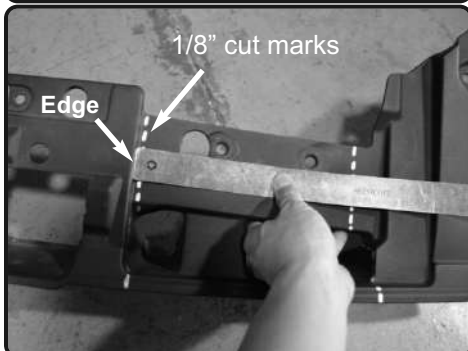
6. Remove the two front plastic retaining clips and continue to remove the entire Oe air box assembly out with the air duct.



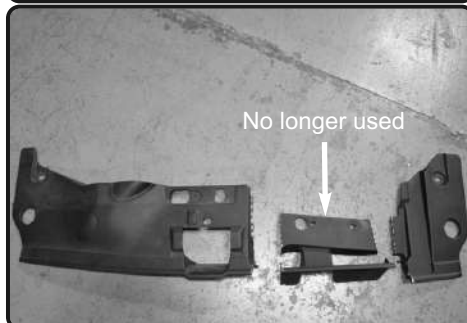
7. Remove the plastic retaining clips to remove the radiator support cover.



8. Draw a line from the right side cover 1.00" from the edge illustrated in the photo. Note the dotted 1.00" cut mark in the photo.



9. Now draw a line from the left side cover 1/8" from the edge illustrated in the photo. Note the dotted 1/8" cut mark in the photo.



10. Use a band saw or air saw and cut on the marked lines from figure 3 & 4. The center piece will no longer be used. Removing the center piece will make room for the Injen ram air scoop.

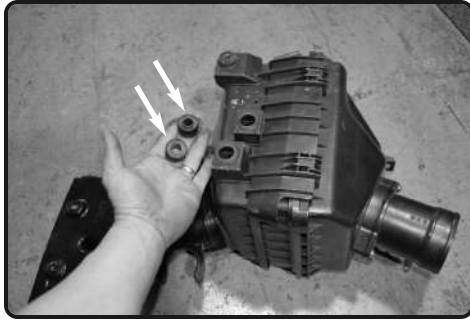


11. Removal of the front bumper will be necessary to install the Injen intake kit. Injen recommends a professional remove the front bumper.



12. Locate the plastic panel inside the bumper, in between the two upper brackets. Measure 1.50" in and 2.00" right and draw cutting marks similar to the photo illustration. Use a suitable cutting device and cut on the marked lines.

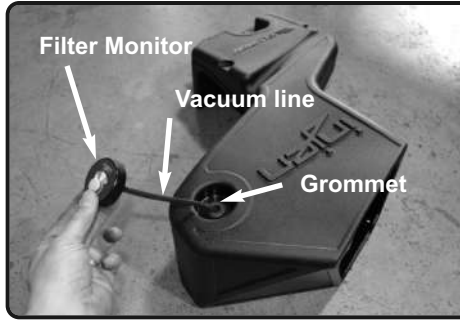
Instruction Manual P/N:EVO1800



13. Remove two mounting grommets and spacers from the bottom side of the OE air box assembly. These grommets will be reused in the Injen air box.



14. Place the two grommets and metal spacers onto the bottom side of the Injen air box.



15. Place the grommet into the 3/4" hole in the Injen air box and connect the 3mm vacuum line to the Filter Monitor. Run the vacuum line through the grommet.



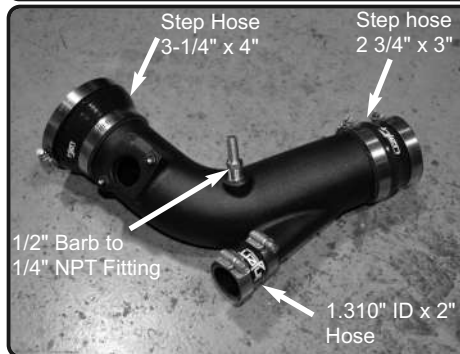
16. Install the filter on the plenum air box. Secure and tighten using 8mm nut driver.



17. Connect the 3mm vacuum line from the Filter Monitor to the barbed fitting on top of the filter from figure 10/11



18. Use a Phillips screw driver to tighten the 3-M6 bolts to secure the Injen intake plenum to the Injen air box.



19. Install the hoses and clamps as illustrated by the photo onto the intake tube. Also secure the 1/2" Barb to 1/4" NPT fitting onto the intake tube.



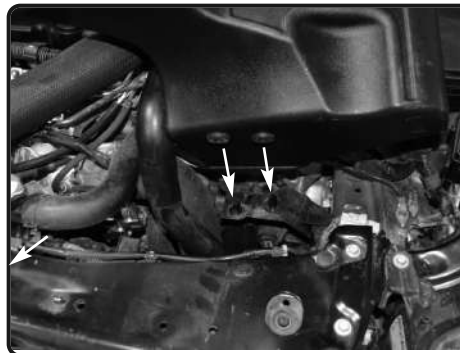
20. Install the two supplied 1/8" Barb to 1/8" NPT Fittings onto the intake tube.



21. Place the MAF sensor onto the Injen intake tube. Secure the MAF to the intake tube with the supplied M4 bolts.



22. Lower the Injen air box assembly into the engine bay. Align the mounting grommets from figure 9 to the post on the mounting bracket. See next figure for example



23. Make sure you align the post on the mounting bracket to the grommets underneath the Injen Air box from figure 9.



24. Lower the intake tube into the engine bay. Connect the 2.50" end of the hose onto the turbocharger inlet.



25. Once the tube is attached to the turbocharger, connect the 4.00" hose to the Inlet of the Injen air box assembly. Continue to secure the remaining clamps on all the hoses



26. Disconnect the OE crank case vent tube on the valve cover.



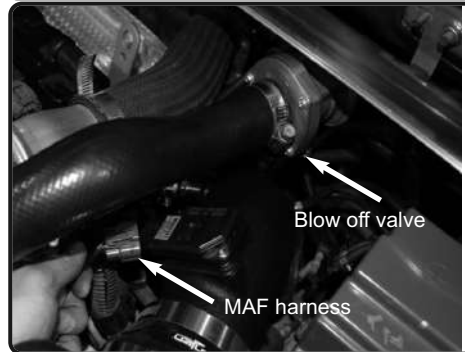
27. Connect the Injen 12mm vacuum line to the Oe crank case port on the valve cover



28. Connect the 12mm vacuum line to the 1/2" barb fitting on the Injen intake tube.



29. Connect the two 3mm vacuum lines from figure 15 and connect them to the boost solenoid.



30. Attach the blow off valve to the 1.310" ID x 2" long hose on the Injen intake tube and reattach the MAF sensor harness



31. Reuse a Oe plastic retaining clip to secure the front of the Injen ram air inlet to the bracket



32. Reinstall the bumper in reverse order.



33. Place both cut cover back into their original places and secure them with the original plastic retaining clips



Congratulations! You have just completed the installation of this intake system. Periodically, check the alignment of the intake, normal wear and tear can cause nuts and bolts to come loose. **Note: Check clearance and adjust if needed! Failure to check the alignment and adjust the intake can cause damage that will void the warranty. Injen Technology is not responsible for any damages caused by/from improper installation.**



33. Optional:

Injen Upper Intercooler pipe shown.
Part # SES1800UICP



33. Optional:

Injen Front Rain guard.
Part # EVO20126

Test Drive:

1. With the transmission in neutral or park and the parking brake engaged, start the engine. Listen for air leaks or odd noises. If air leaks are detected, secure hoses and connections. For any odd noises, inspect entire system for cause and adjust intake as needed. The Injen intake will function identically to the factory system but will be louder and more powerful.
2. Perform a road test. Listen for odd noises or rattles and fix as necessary.
3. If there are no issues, continue to enjoy your added performance from the Injen performance Intake kit.
4. Injen Technology recommends you periodically check clearance and adjust if needed! Failure to check the alignment and adjust the intake can cause damage that will void the warranty. Injen Technology is not responsible for any damages caused by/from improper installation.

1. Upon completion of the installation, reconnect the negative battery terminal before you start the engine.
2. Align the entire intake system for the best possible fit. Once the intake has been properly fitted continue to tighten all nuts, bolts and clamps.
3. Periodically, recheck the alignment of the intake system and make sure there is proper clearance around and along the length of the intake. Failure to follow proper maintenance procedures may cause damage to the intake and will void the warranty.
4. Start the engine and listen carefully for any odd noises, rattles and/or air leaks prior to taking it for a test drive. If any problems arise go back and check the vacuum lines, hoses and clamps that maybe causing leaks or rattles and correct the problem.
5. Check the filter for excessive dirt build up. Clean or replace the filter with an original Injen filter (can be bought on-line at "injenonline.com"). Congratulations! You have just completed the installation of the best intake system sold on the market. Enjoy the added power and performance of your new intake system.