

Plasma Direct Installation Instructions for Volkswagen, Audi

Thank you for your purchase. Please read this instruction carefully to make a proper and safe installation.

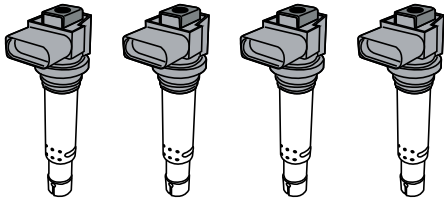
Safety Instructions



1. Installation should be made only on designated vehicles and models.
2. Never modify or dismantle this product.
3. The vehicle should be on a flat surface, with tires blocked to prevent the vehicle from rolling.
4. The engine should be off and completely cooled. Be sure the ignition key is not inserted.
5. The negative terminal from the battery should be disconnected. Note that this may cause the security alarm to activate. Consult the vehicle owner's manual to prevent this from occurring.
6. The engine should be in good operating condition. Any sign of defects should be corrected before installation.
7. Make sure you have adequate ventilation before running the engine.
8. Installation should be performed by a professional mechanic.
9. If the engine performance was previously boosted through modification of the ignition timing or air/fuel ratio, it may require readjustment following installation of the product.
10. If any defects are found in the product, discontinue using it immediately and contact the dealer where you purchased the product or us.

Parts Included

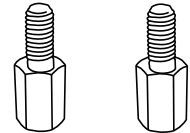
① Plasma Direct coils 4P



② Service tool 1P

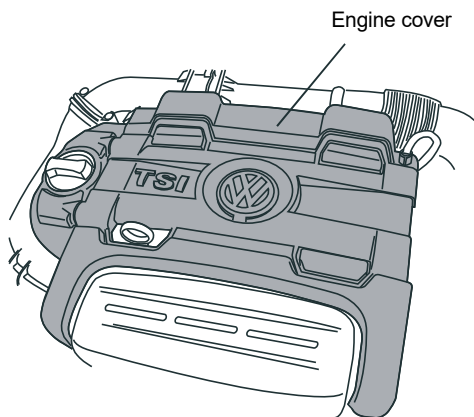


③ Coupling set screws 2P



Installation Procedure

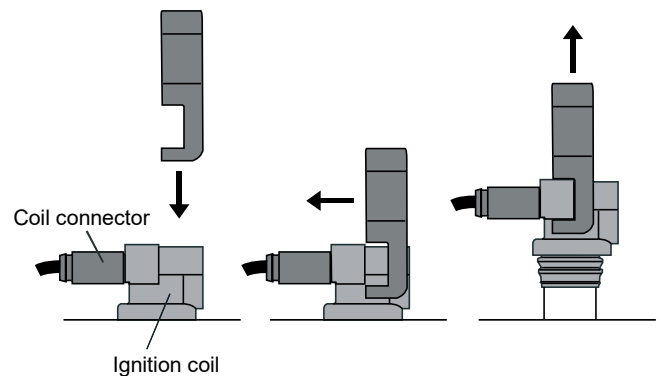
- ① Disconnect the negative(-) battery terminal.
Note: It takes approx. 20 minutes to reset the ECU.
- ② Remove the engine cover and etc., to expose the ignition coils, so that you can start the installation of the Plasma Direct coils.



- ③ Remove the ignition coils using the service tool ②.

Attach the tool as illustrated below.

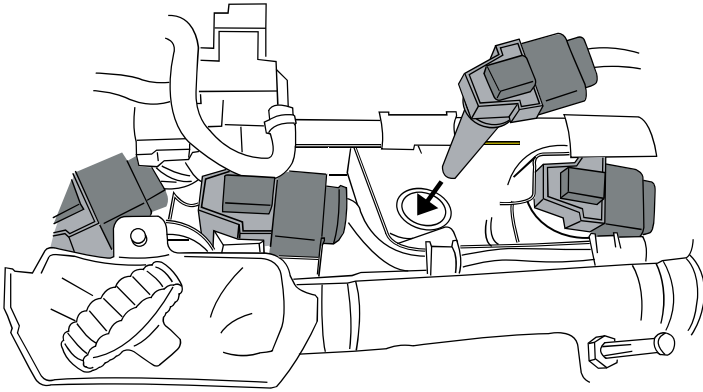
Pull out the ignition coil.



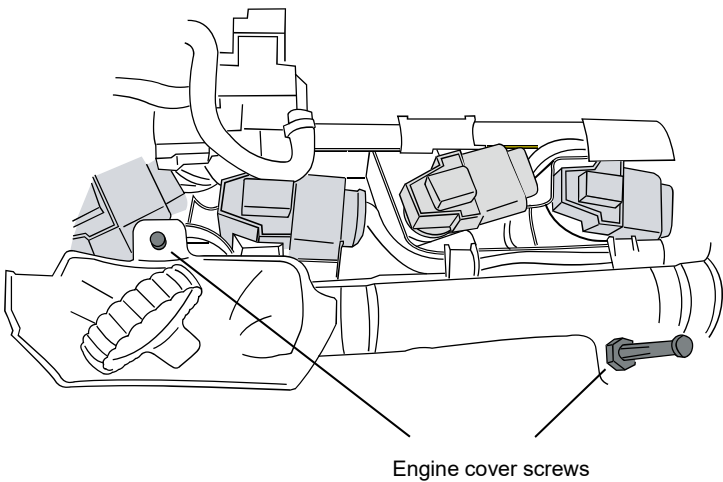
- ④ Disconnect the coil connectors from the ignition coils.

5 Connect the coil connectors to the Plasma Directs.

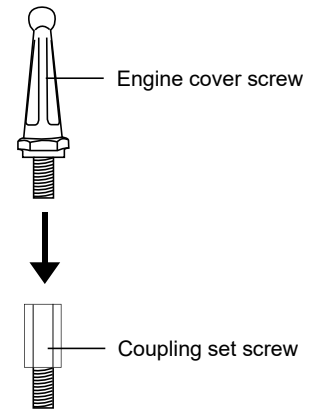
6 Install the Plasma Directs to the engine.



7 Remove the engine cover screws from the engine.



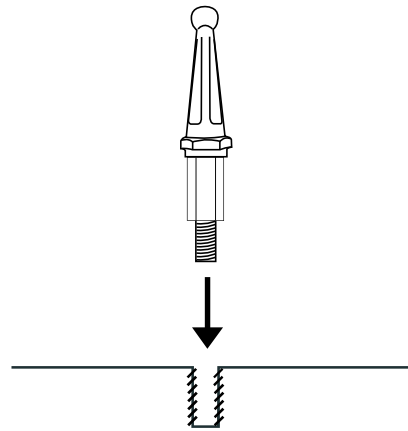
8 Attach the engine cover screws to the coupling set screws ③.



Caution Never fail to follow this instruction.

Make sure to use a tool to secure the fastening.

9 Install the engine cover screws with the coupling set screws onto the engine.



10 Mount back properly all the components you removed for the installation.

PD4002108R
VW/Audi 2/2



OKADA PROJECTS Inc.
2-3-5 Kitamikata, Takatsu-ku, Kawasaki-shi Kanagawa 213-0005 Japan
www.okadaprojects.com info@okadaprojects.com

All rights reserved. Reproduction in any form without written permission from Okada Projects is prohibited.