

ALPHA



alphaperformance.com

GTR BILLET ENGINE OIL PAN
TECHNICAL SPECIFICATIONS



The goal of Alpha Performance is to provide the highest quality, best performing products available. By utilizing research and development, and rigorous testing programs Alpha Performance will never compromise the quality or performance of our products. In addition, Alpha Performance will only provide the finest customer service offering only parts and advice that are in the best interests of the customer. Alpha Performance was built on a foundation of integrity. This is who we are; this is what you can count on.

A vehicle modified by the use of performance parts may not meet the legal requirements for use on public roads. Federal and state laws prohibit the removal, modification, or rendering inoperative of any part or element of design affecting emissions or safety on motor vehicles used for transporting persons or property on public streets or highways. Use or installation of performance parts may adversely affect the drivability and reliability of your vehicle, and may also affect or eliminate your insurance coverage, factory warranty, and/or new OEM part warranty. Performance parts are sold as-is without any warranty of any type. There is no warranty stated or implied due to the stresses placed on your vehicle by performance parts and our inability to monitor their use, tuning, or modification.

These instructions are provided as a guide only as there are many variables that cannot be accounted for concerning your particular vehicle, including but not limited to model year differences, model differences, the presence of non-OEM parts, and modifications that may already be or were previously installed. A basic knowledge of automotive parts and systems is helpful but a better understanding of the parts and systems on your particular vehicle may be required.

If you have any questions or issues at any time during the installation of your Alpha Performance product(s) please call us for technical assistance. The Alpha Performance tech line can be reached during business hours at 847-709-0530 for Alpha Performance products only.

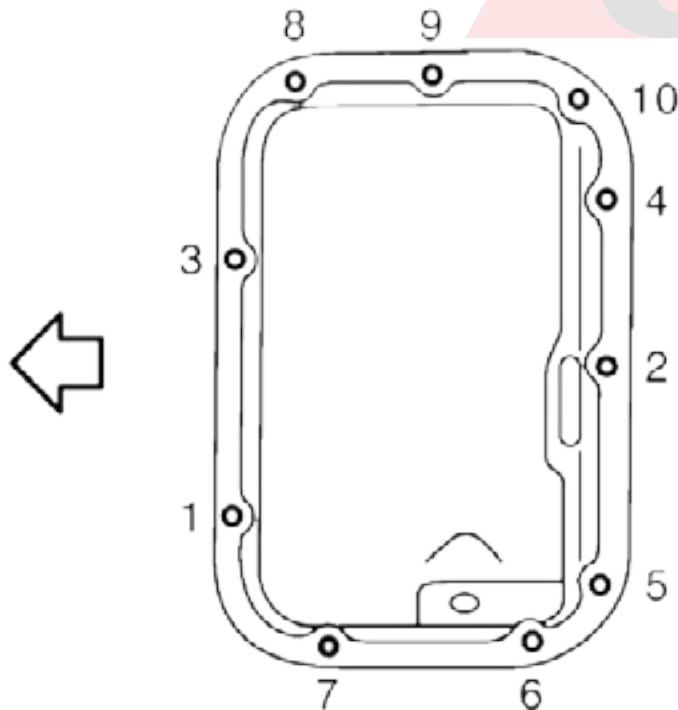
Technical Specification / Torque Specs

Supplied Hardware

- GTR Billet oil pan
- GTR Oil Pickup Extension
- (2) M6 x 1.0 x 50mm Socket Head Bolts
- (2) M6 x 1.0 x 16mm Serrated Flange Head Bolts
- (2) Dash # 024 Viton® O-rings
- Nissan Oil Drain Plug Crush Washer

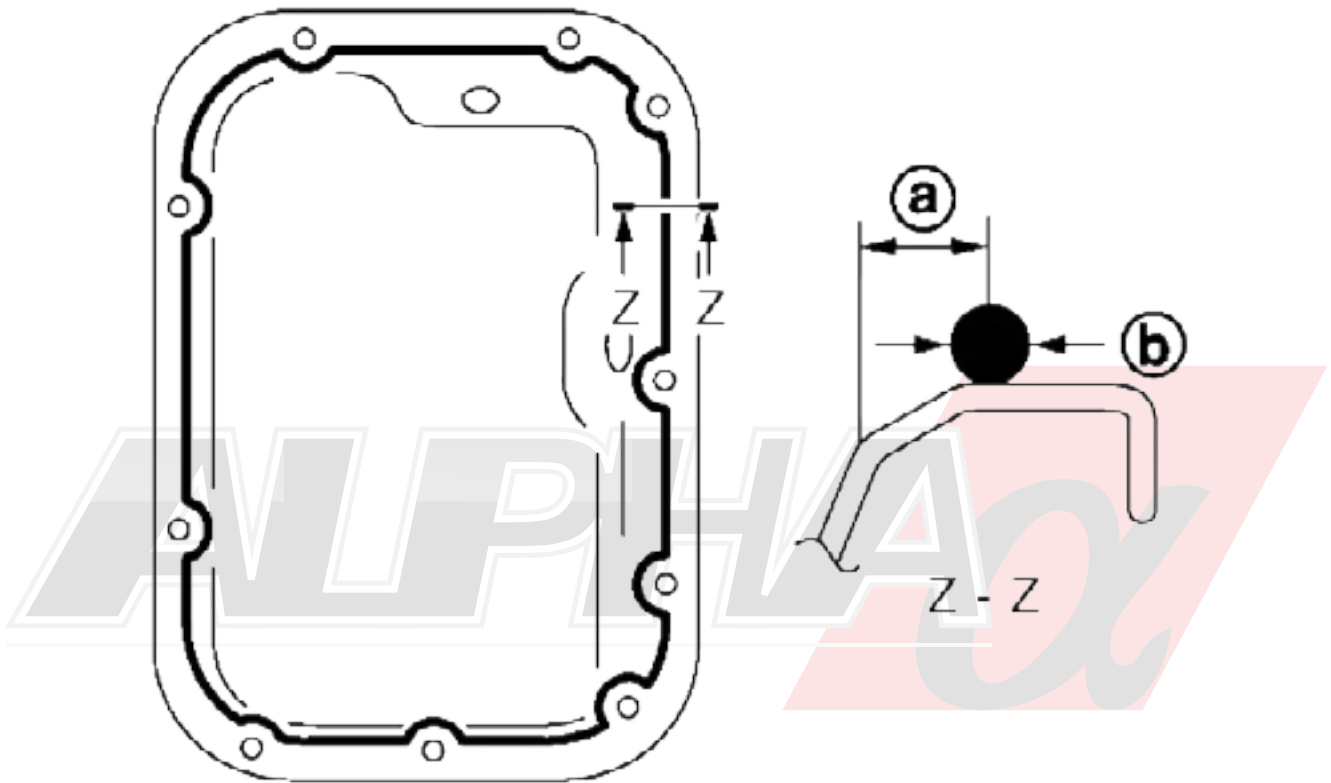
Torque Specifications

- M6 x 1.0 x 50mm Socket Head Bolts
- 10 ft lb / 13.5 N-m
- M6 x 1.0 x 16mm Serrated Head Bolts
- 10 ft lb / 13.5 N-m
- Follow factory torque patten and sequence for torquing the oil pan to the block using the factory hardware
- 10 ft lb / 13.5 N-m
- Reuse the factory drain plug with the new supplied crush washer
- 25 ft lb / 34.3 N-m



Sealing

- Follow the factory pattern for sealing the oil pan using Genuine Nissan RTV or equivalent. (Three Bond 1217H recommended)
- A = 8.5 mm (0.335")
- B = 4.5 mm (0.177")



Installation Notes

- Additional capacity (approximately 1.5 quart / 1.4 liter)
- Fill to factory dip stick level
- Lower under tray on vehicle will have to be trimmed to clear the oil pan. The inside layer will have to be removed. You will not have to completely cut an opening in the under tray.
- Always replace the crash washer on the oil pan drain plug during every oil change. Failure to do so may result in damage to the oil pan or oil leaks.
- Nissan part number – **11026-4N200**



ALPHA

