

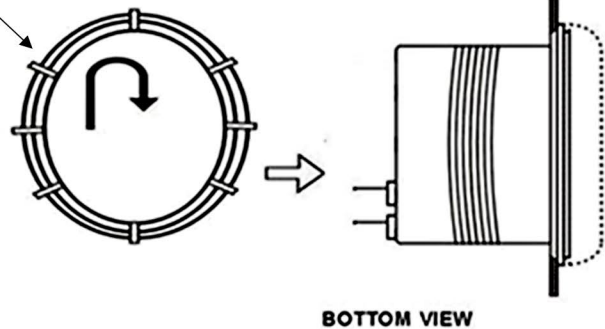
INSTALLATION INSTRUCTIONS (2-1/16") ELECTRICAL GAUGES

WATER RESISTANT OFF ROAD/MARINE

Mounting

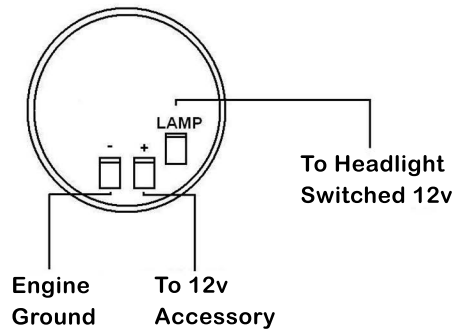
Gauge can be mounted in a 2-1/16" (52mm) panel hole or gauge pod. If installing in a panel, secure the gauge by spinning on the mounting bracket from the back of the gauge.

Spin on mounting bracket



Voltmeter

BACK VIEW

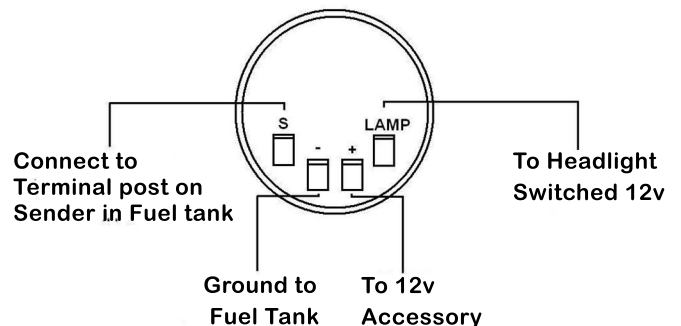


Fuel Level/Water Level

BACK VIEW

For the following installation, the GAS TANK MUST BE FULL. Disconnect negative battery cable when wiring and reconnect to check reading.

1. Disconnect negative (-) battery cable
 2. Route two 18 gauge wires from fuel tank to gauge. Connect one end to the signal wire on the fuel level sender and opposite end to the sender (S) terminal on the gauge.
 3. Connect wire from gauge ground (-) terminal to chassis ground.
 4. Connect wire from 12v accessory power to positive (+) terminal on gauge.
- CAUTION: Be careful not to touch the ignition wire to the sender (S) terminal on the back of the gauge or the sender will be damaged.**
5. Reconnect negative (-) battery cable



Model No.	Sender Resistance (Ohms)	
	Empty	Full
YAFL-10180	10	180
YAFL-30020	300	20